



CheckMate™ Lawn and Athletic Field Striping Kits

1125 Mac Tech Dr C



Lansing, MI 48906



800.411.0150

[www.bigleaguelawns.com](http://www.bigleaguelawns.com)



## CheckMate™ Lawn Striping Kit For Bad Boy Outlaw Stand On Installation Guide

### Important

Big League Lawns, LLC warrants their products to be free of defects in material and workmanship. This warranty does not cover defects due directly or indirectly to misuse, abuse, normal wear and tear, failure to properly maintain the product or used for a purpose other than that for which it is intended. The duration of this warranty is expressly limited to one year parts and labor beginning from the date of delivery to the original customer.

The obligation of Big League Lawns, LLC is limited solely to the repair or replacement, at our option, at its factory or authorized repair agent of any part that should prove deficient. Purchaser must maintain the product under normal operating conditions at all times. Prior to operation, become familiar with the attachment and any disconnect features. This product is not intended to be used in a transport position or to be backed over curbs. When not in use, the product should be removed from the mower and transported in a safe manner. Failure to follow these instructions will void the warranty.



US Patent 6,962,039 B2, US Patent 6,993,894 B2

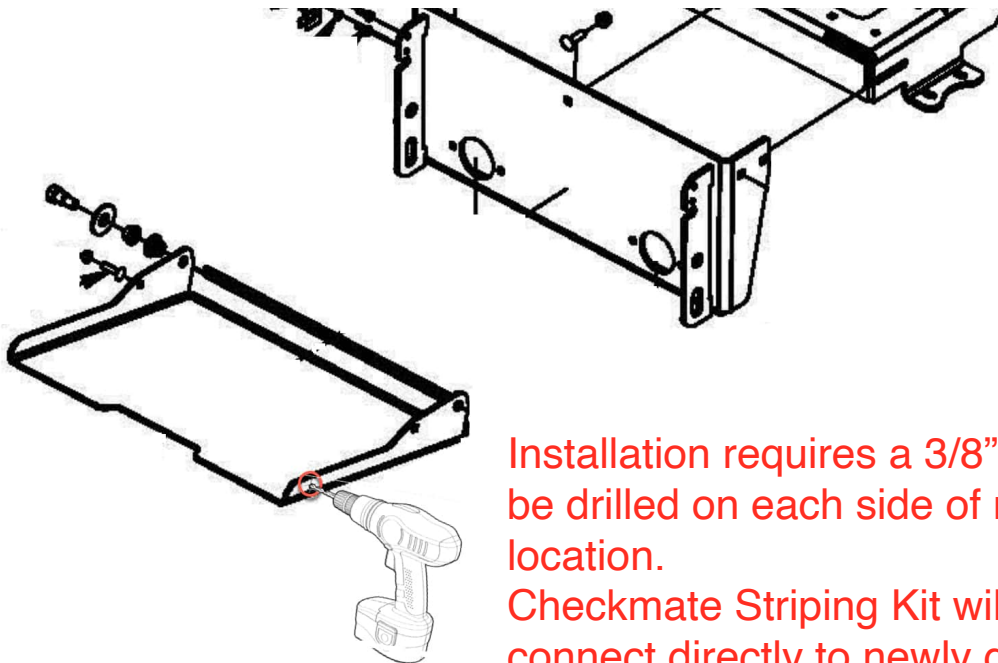
## Mounting Instructions for Bad Boy Outlaw Stand On

Congratulations on your new purchase! You are just steps away from creating a beautifully patterned lawn using your new CheckMate™ lawn striping roller. To ensure a long life of both your mower and roller, please be sure to follow the mounting recommendations below.

### Tools Required:

9/16" Wrench 3/4" Wrench 	1/4" Allen Wrench 	3/8" Drill Bit 	Drill 
--	--	---	--

### Step 1: Identify Drilling Location (Shown Below):



Installation requires a 3/8" hole to be drilled on each side of noted location.  
Checkmate Striping Kit will connect directly to newly drilled holes

### **Step 2: Drill Mounting Hole**

Using a 3/8" drill bit, carefully drill your mounting hole. Note; very little pressure should be applied to the drill. Simply allow the bit to slowly drill the hole.

### **Step 3: Installing Mounting Arms**

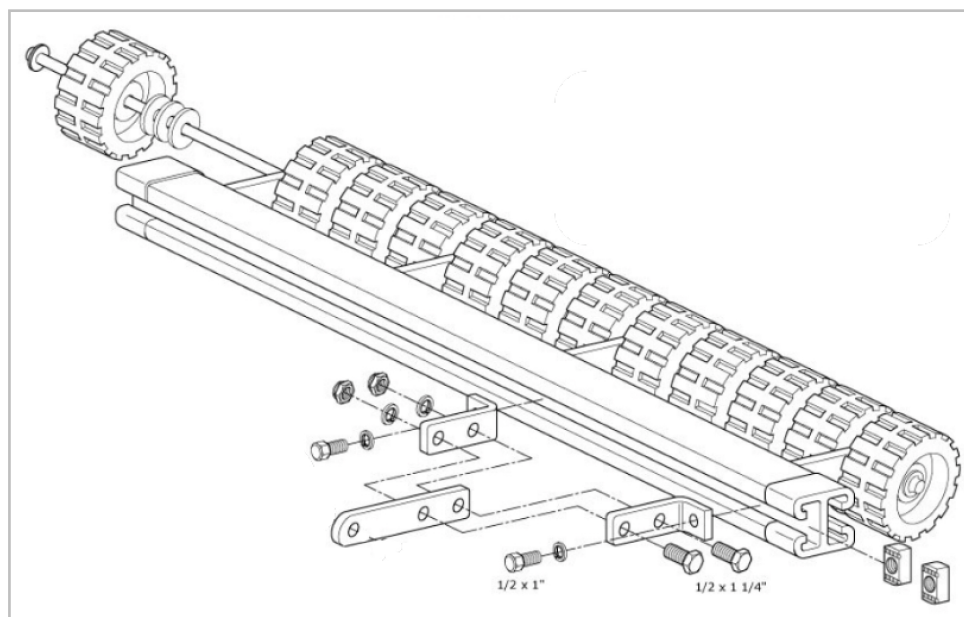
#### **Install Mounting Arm**

Align your mounting arm through the mounting hole. On the underside, thread the 3/8" nylon locknut onto the exposed threads of the mounting bolt.



### **Step 4: Assemble Mounting Arms**

Using the schematic below, assemble your mounting arms in order to connect to the channel piece in the next step.



### **Step 5: Install Striping Kit**

Remove preinstalled 1/2" x 1" bolts and lock washers from gray channel. Re-insert the bolt [with split lock washer] through the L shaped bracket and thread into the channel nut inside channel. **(Before tightening bolts all the way down; center roller behind the mower)**

After centering the roller; use a 3/4" wrench to firmly tighten each mounting arm to the striping roller.

### **Final Steps**

Check installation, pick up the roller to confirm it freely pivots up and down.

**Installation is now complete! Enjoy your striping with your new CheckMate™ Striping kit!**

